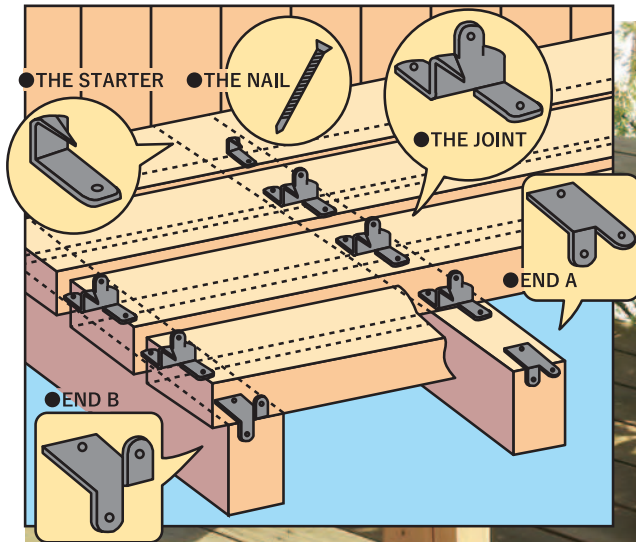


Deck Connector

PAT

Beautiful finish is achieved as nails are not seen on the surface.

Deck Connector can be used as a replacement of nail when building a balcony or wooden deck.



Safety & Beautiful

Construction image

Safe

- Nails are not exposed on the surface.
- Because of small joint spacing, there is no worry to stumble.
- It's also safe for children as the nails are not exposed on the plank surface.

Purpose of use

- For balconies, verandas terraces, sidewalks, parking lots, etc.

Durable yet beautiful

- Since nails are not exposed on the surface, it makes the wood looks more luxurious.
- It is characterized by good drainage, achieving excellent wood durability.

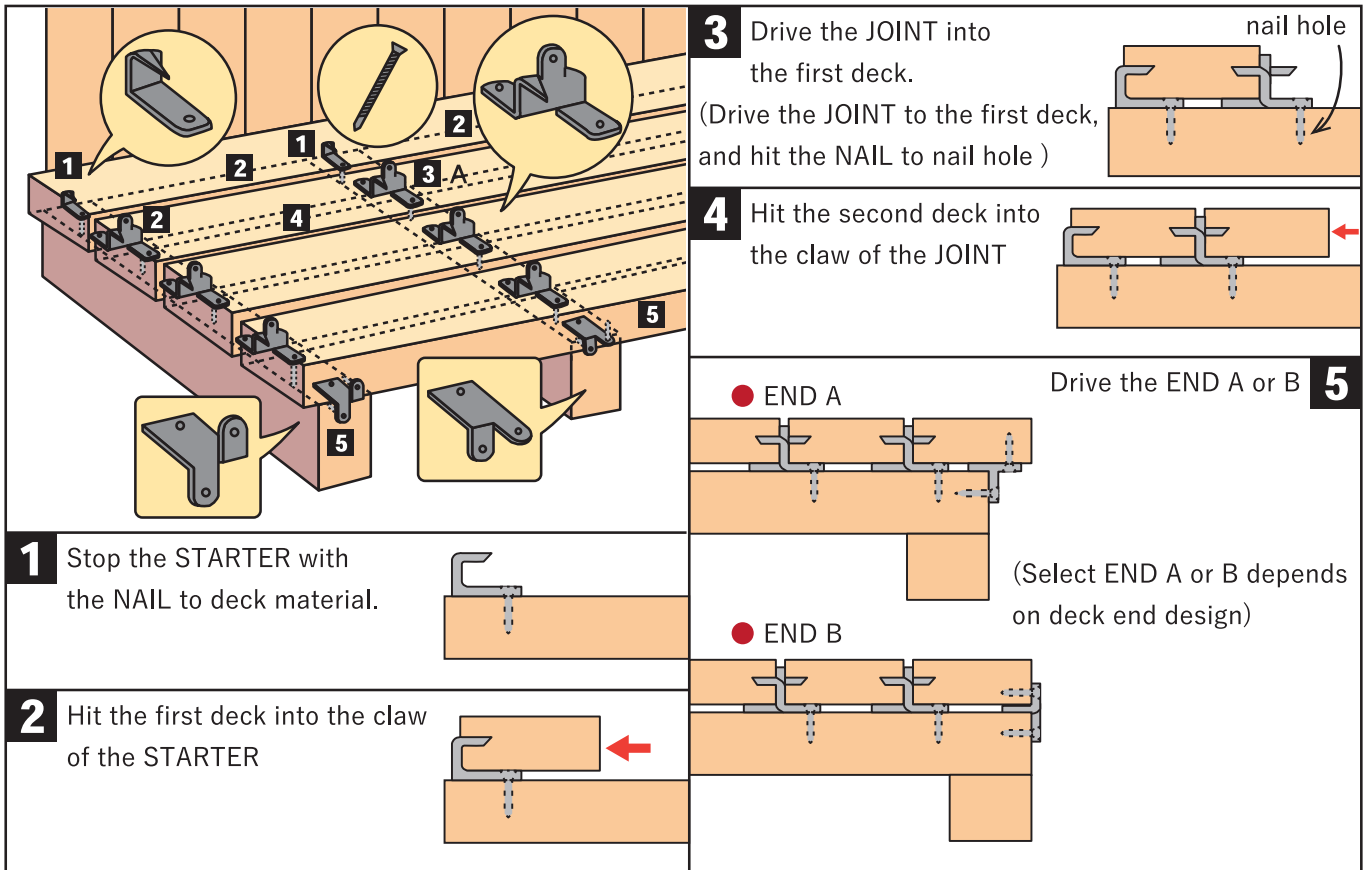


T.Kato Co., Ltd.

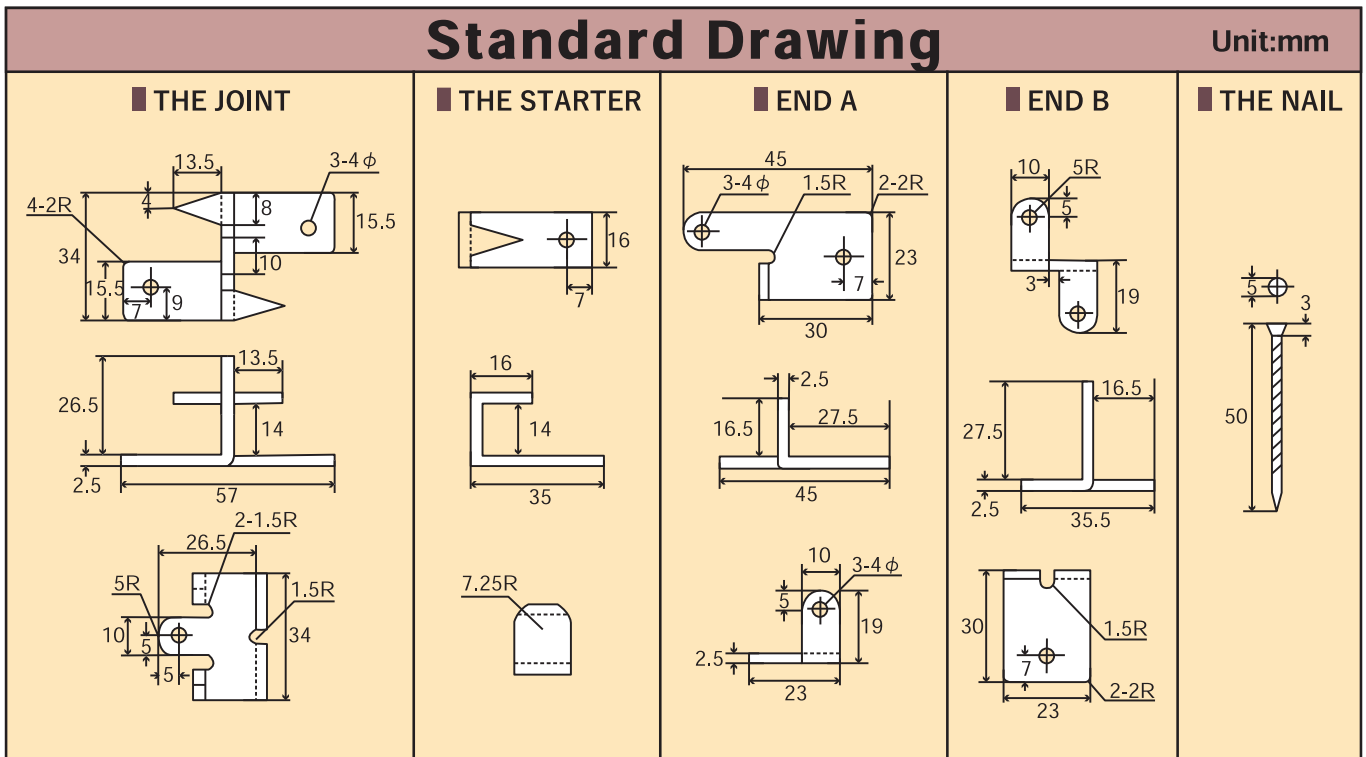
4-1-1 Iidabashi, Chiyoda-ku, Tokyo
102-0072

URL: <https://www.t-kato.co.jp/en/>

How to use



※ Standard number of the NAIL used : 1 for the JOINT, 1 for the STARTER, 2 for the END



■ Standard number used in case two-by-four wood (38mm x 89mm), 60cm between joists

- 1.65 m² width 1.82 x depth 0.91m : THE JOINT 24pcs, THE STARTER/THE END 3pcs/each
- 3.3 m² width 1.82 x depth 1.82m : THE JOINT 51pcs, THE STARTER/THE END 3pcs/each
- 9.0 m² width 3.0 x depth 3.0m : THE JOINT 145pcs, THE STARTER/THE END 5pcs/each
- 13.3 m² width 3.64 x depth 3.64m : THE JOINT 216pcs, THE STARTER/THE END 6pcs/each
- 36.0 m² width 6.0 x depth 6.0m : THE JOINT 500pcs, THE STARTER/THE END 10pcs/each